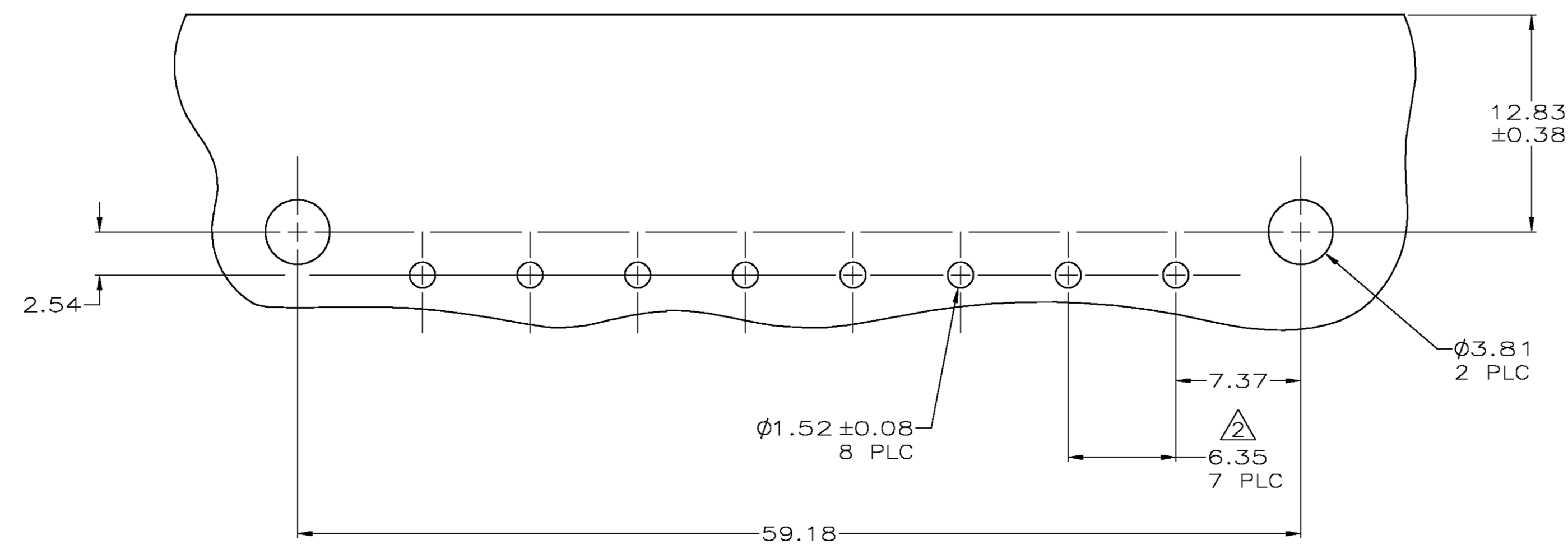
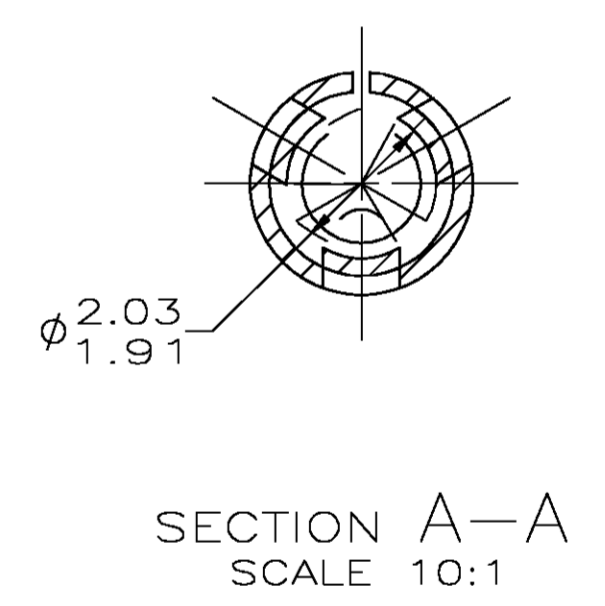
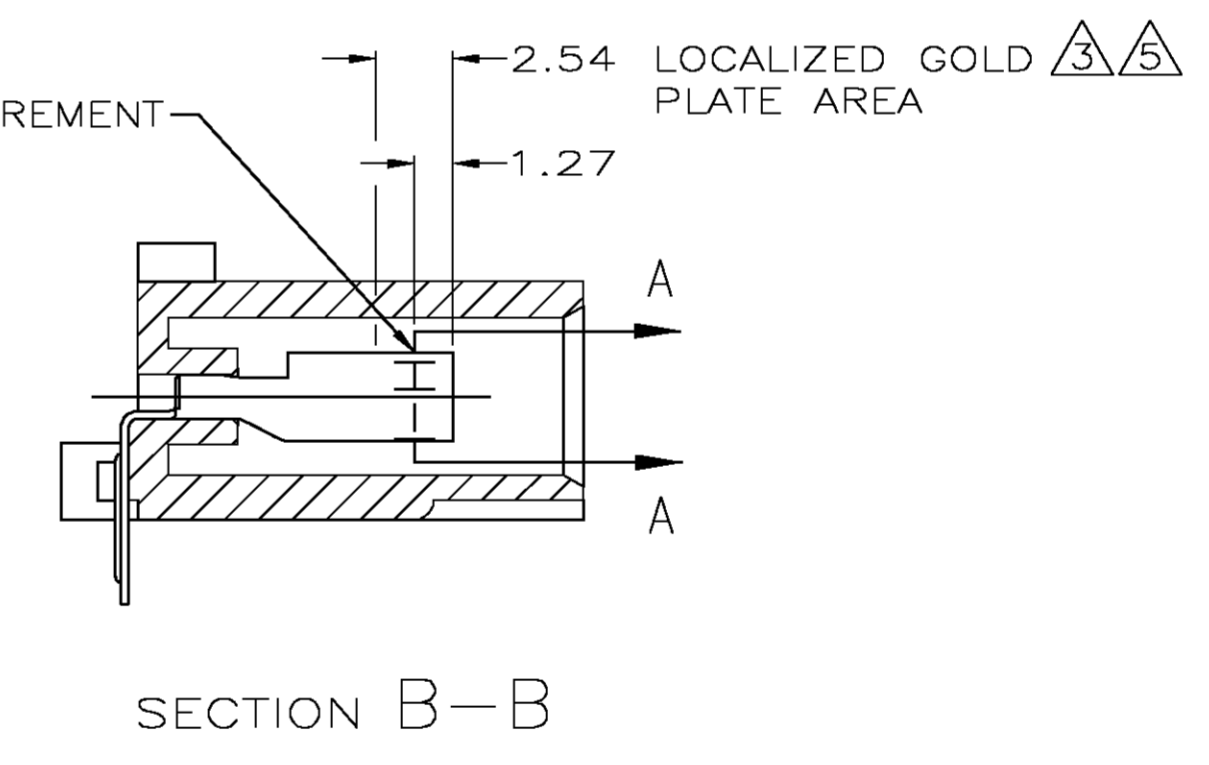
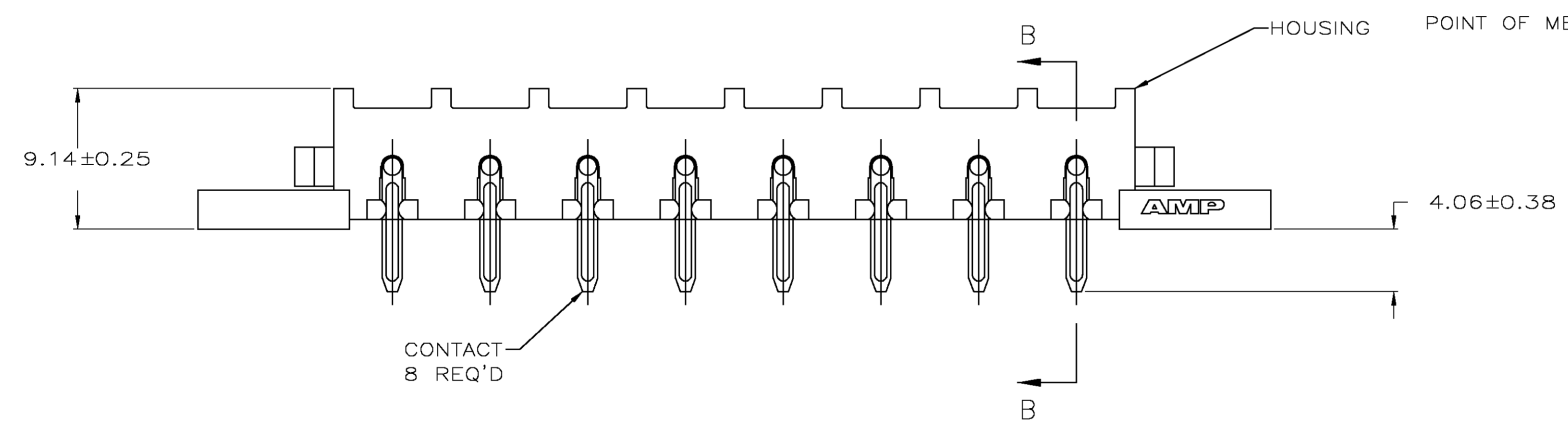
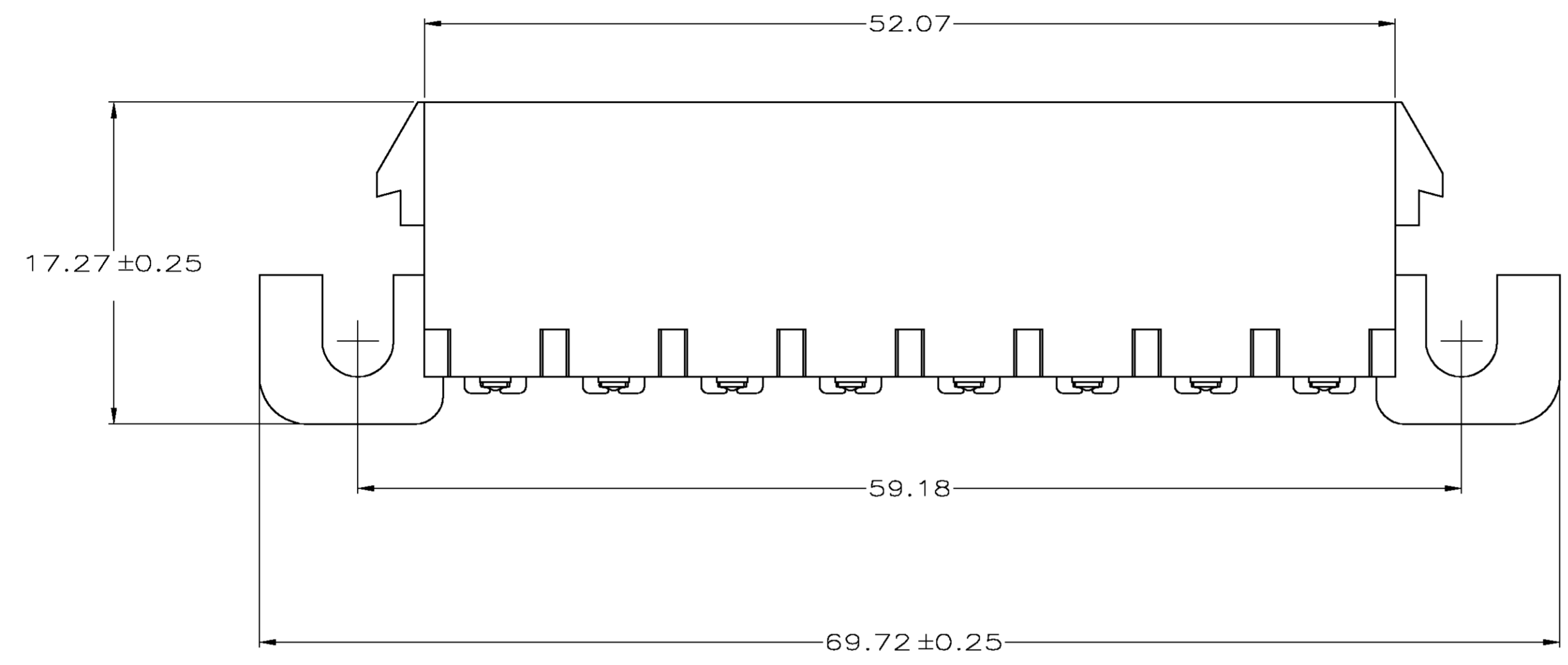


3-DIMENSIONAL MODEL NTS

- PARTS COMPLY WITH AMP SOLDERABILITY SPECIFICATION 109-11-5.
- TOLERANCE NON-CUMULATIVE.
- 0.00076 GOLD OVER 0.00127 MIN NICKEL WITH MATTE TIN LEAD ON SOLDER TAIL.
- CIRCUIT IDENTIFICATION CHARACTERS ARE ADJACENT TO THE INDICATED CAVITIES, BUT LOCATION AND ORIENTATION MAY DIFFER FROM PRINT.
- 0.00076 GOLD OVER 0.00127 MIN NICKEL WITH MATTE TIN ON SOLDER TAIL.



2.03	.080	69.72	2.745
1.91	.075	59.18	2.330
1.57	.062	52.07	2.050
1.52	.060	17.27	.680
1.27	.050	12.83	.505
0.38	.015	9.14	.360
0.25	.010	7.37	.290
0.13	.005	6.35	.250
0.08	.003	4.06	.160
0.00127	.000050	3.81	.150
0.00076	.000030	2.54	.100
MM	IN	MM	IN

CONVERSION TABLE

RECOMMENDED MOUNTING HOLE PATTERN FOR 1.57 THICK P.C. BOARD



PH BRZ GOLD	NYLON, UL94V-0	3-643236-0
PH BRZ GOLD	NYLON, UL94V-0	643236-2
PH BRZ TIN	NYLON, UL94V-0	643236-1
CONTACT	HOUSING	PART NO
THIS DRAWING IS A CONTROLLED DOCUMENT. DIMENSIONS: mm TOLERANCES UNLESS OTHERWISE SPECIFIED: 0 PLC ± - 1 PLC ± - 2 PLC ± 0.13 3 PLC ± - 4 PLC ± - ANGLES ± - FINISH SEE TABLE		
DNW K. WHITAKER 21APR2005 CHK S. RIDGILL 21APR2005 APVD S. RIDGILL 21APR2005 PRODUCT SPEC APPLICATION SPEC WEIGHT - CUSTOMER DRAWING		Tyco Electronics Corporation Harrisburg, Pa 17105-3608 NAME: SOCKET HEADER ASSEMBLY, RIGHT ANGLE MOUNT, 8 POSITION, UNIVERSAL MATE-N-LOK™ SIZE DATE CODE DRAWING NO: A1 00779 C=643236 RESTRICTED TO: - SCALE 4:1 SHEET 1 of 1 REV D